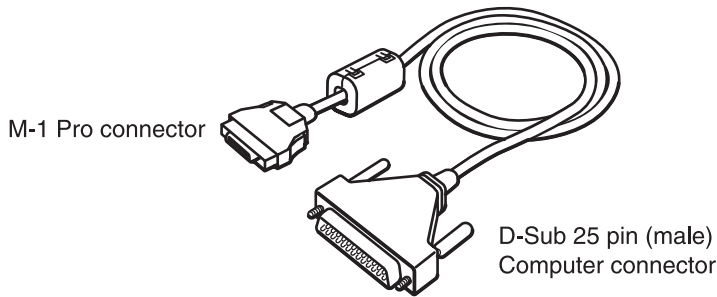

About the Connection Cable

There are two types of cable for connecting the M-1 Pro to your computer. Please choose the cable that suits your needs.

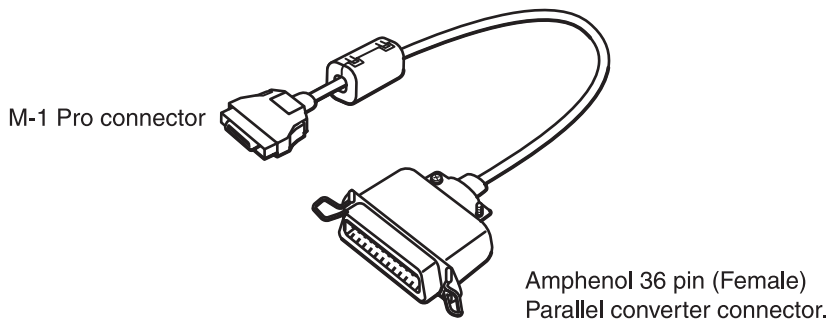
■ Computer Connection Cable

Use this cable to connect M-1 Pro directly to your computer's printer port (the parallel interface).

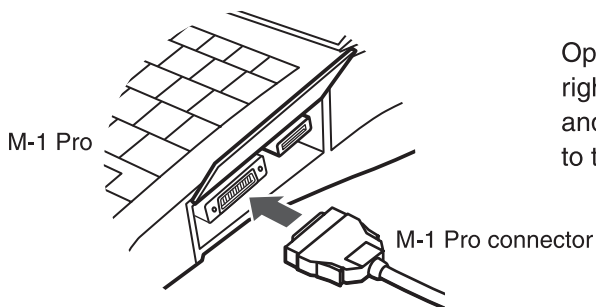


■ Parallel Converter Cable

Use this to convert the M-1 Pro connector to a normal parallel (Centronics) connector.



Where to plug in the connector on the M-1 Pro



Open the interface cover on the right side of the M-1 Pro, and connect the M-1 Pro connector to the connector at the front.

⚠ Caution

Before connecting or disconnecting the cable, follow the procedure below to avoid electric shock.

1. Turn the M-1 Pro off, and disconnect the power cord from the power outlet.
2. Turn off your computer, and disconnect its power cord from the power outlet.